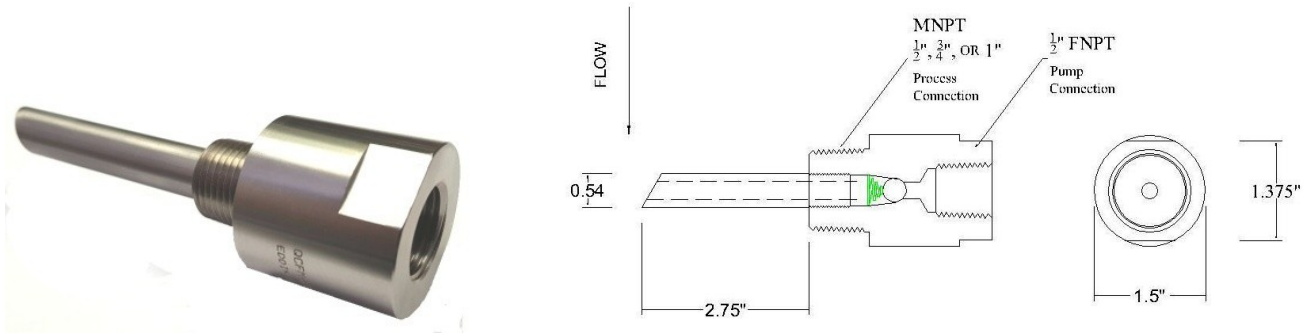




# QBFM & QCFM Injection Quills

## PRODUCT DATA SHEET



**QCFM Model depicted above (QBFM comes without check valve)**

- The Eddington QCBM & QCFM Injection Quills offers MNPT process connections and ½" FNPT pump side connections. Quills made from Type 316 SS, Alloy 20, Hastalloy C276 can be used for high temperature, high pressure applications.
- Crack pressure on the QCFM quills is 20 psi. If the pump cannot deliver 20 psi then a QBFM injection quill may be appropriate.
- These quills are available in Type 316 Stainless Steel, PVC, Kynar, Alloy 20, and Hastalloy C276.
- The QCBM has no check valve and the QCFM injection quills have built in ball check valves to prevent backflow through the nozzle and into the chemical feed line.
- There are two flat surfaces on the external portion of the nozzle so a wrench can be used during installation.
- Install injection quill with V notch facing into the flow for the most rapid dispersal of injected chemicals into the stream (see diagram above).
- Standard quill length is 2 ¾" but custom lengths up to 24" are available. For additional lengths please add the quill length desired to the end of the part number (e.g. QCFM-316-050-18).

Material	PART NUMBERS			Check Valve Material		Temperature and Pressure Rating	
	Process Connection Size (MNPT)			Ball	Spring	Max Temp	Max Press. (psi)
	½"	¾"	1"				
<b>QCFM Part #</b>							
316 Stainless Steel	QCFM-316-050	QCFM-316-075	QCFM-316-100	316 SS	316 SS	750° (400°C)	3000
PVC	QCFM-PVC-050	QCFM-PVC-075	QCFM-PVC-100	Ceramic	HAST C	100° (37°C)	150
Kynar	QCFM-KY-050	QCFM-KY-075	QCFM-KY-100	Ceramic	HAST C	200° (93.3°C)	150
Kynar w/Teflon Check Valve	QCFM-KY-050-T	QCFM-KY-075-T	QCFM-KY-100-T	Teflon	HAST C	200° (93.3°C)	150
Alloy 20	QCFM-C20-050	QCFM-C20-075	QCFM-C20-100	HAST C	HAST C	750° (400°C)	3000
Hastalloy C 276	QCFM-Hastalloy-050	QCFM-Hastalloy-075	QCFM-Hastalloy-100	HAST C	HAST C	750° (400°C)	3000
<b>QBFM Part #</b>							
316 Stainless Steel	QBFM-316-050	QBFM-316-075	QBFM-316-100	NO Check Valve		750° (400°C)	3000
PVC	QBFM-PVC-050	QBFM-PVC-075	QBFM-PVC-100	NO Check Valve		100° (37°C)	150
Kynar	QBFM-KY-050	QBFM-KY-075	QBFM-KY-100	NO Check Valve		200° (93.3°C)	150
Alloy 20	QBFM-C20-050	QBFM-C20-075	QBFM-C20-100	NO Check Valve		750° (400°C)	3000
Hastalloy C 276	QBFM-Hastalloy-050	QBFM-Hastalloy-075	QBFM-Hastalloy-100	NO Check Valve		750° (400°C)	3000