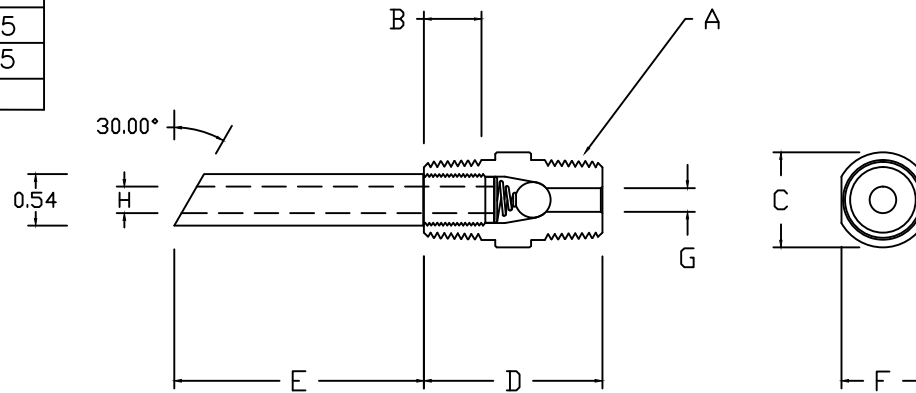


# QC Injection Quill Specifications

A	B	C	D	E*	F	G
1/2" MNPT	.67	1.00	1.87	2.75	.87	.25
3/4" MNPT	.67	1.25	2.00	2.75	1.12	.25
1" MNPT	.87	1.50	3.00	2.75	1.37	.25
All DIMENSIONS ARE IN INCHES						

- \* Standard Length is 2.750"
- \* Custom Lengths up to 24" are available



## Features:

High Pressure, High Temperature Application

Built-in ball check valves to prevent backflow through the nozzle and into the chemical feed line.

Two flat surfaces on external portion of nozzle so wrench can be used during installation.

Telltale V-notch to ensure proper nozzle alignment with process steam for proper dispersal of injected chemical.

Material	Part Numbers			Check Valve Material		Temperature and Pressure Rating		H
	Process Connection Size (MNPT)			Ball	Spring	Max Temp	Max Press. (psi)	
	1/2"	3/4"	1"					
316 Stainless Steel	QC-316-050	QC-316-075	QC-316-100	316 SS	316 SS	750°F (400°C)	3000	.36
PVC	QC-PVC-050	QC-PVC-075	QC-PVC-100	Ceramic	HAST C	100°F (37°C)	150	.30
Kynar	QC-KY-050	QC-KY-075	QC-KY-100	Ceramic	HAST C	200°F (93°C)	150	.30
Alloy 20	QC-C20-050	QC-C20-075	QC-C20-100	HAST C	HAST C	750°F (400°C)	3000	.36
Hastelloy C 276	QC-Hastelloy-050	QC-Hastelloy-075	QC-Hastelloy-100	HAST C	HAST C	750°F (400°C)	3000	.36

Eddington Industries, LLC

Bensalem, PA 19020 USA

Phone: 215-639-0675

www.eddington.net